

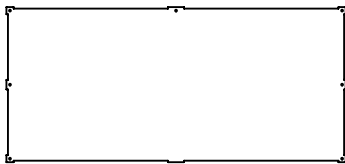
General Instruction Sheet

ASSEMBLY INSTRUCTIONS

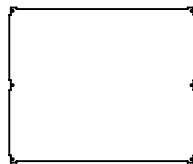
PLEASE CAREFULLY READ AND FOLLOW ALL THE INSTRUCTIONS IN THE DESIGNATED SEQUENCE.

CASE PARTS LIST:

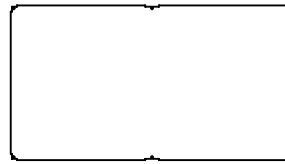
*PART QUANTITY WILL DIFFER BETWEEN SETS



FRONT/BACK PANEL
(2 pcs)



SIDE PANEL
(2 pcs)



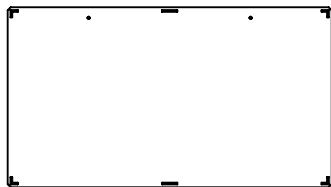
TOP PANEL
(1 pc)



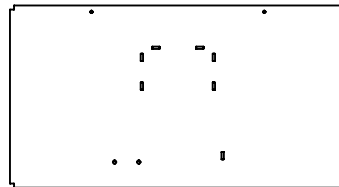
CUBE*



SCREW*



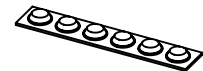
BOTTOM BASE PANEL
(1 pc)



TOP BASE PANEL
(1 pc)

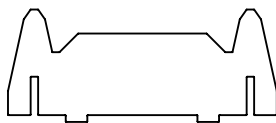


LEGO® STUD*

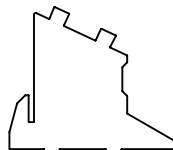


BUMPONS*

STAND PARTS LIST (where applicable):

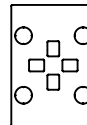


BACK SUPPORT*



LEFT/RIGHT SUPPORT*

PLATE PART LIST (where applicable):



PLATE*



FRONT STAND*



CLEAR LEGO®
STUD*

COVER ASSEMBLY

STEP 1: Remove protective film from both sides of each part before assembly.

STEP 2: Identify all Panels:

- **Front/Back Panel (2x)** - contains Corner Tabs & Middle Tabs on all 4 sides.
- **Top Panel (1x)** - contains Corner Tab Cavities & Middle Tab Cavities on all 4 sides.
- **Side Panel (2x)** - contains Corner/Middle Tabs on top and bottom sides. Contains Tab Cavities (Corner & Middle) on the left & right sides.

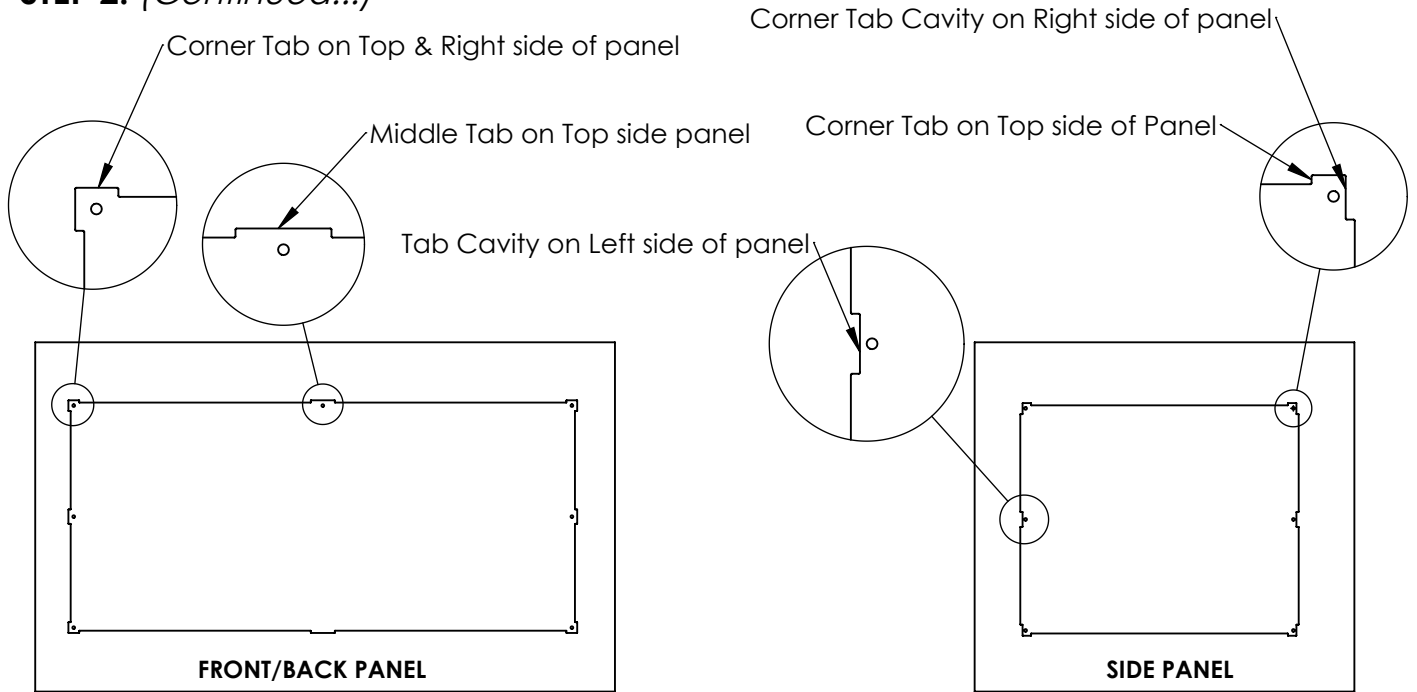
(STEP 2 Continued on Page 2)

General Instruction Sheet

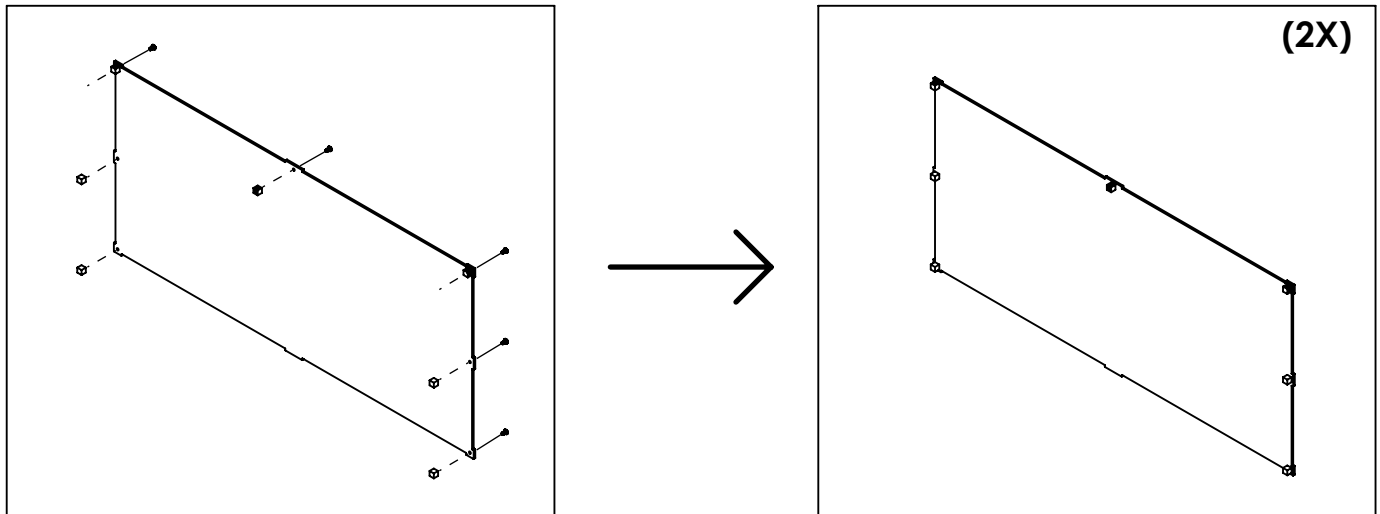
ASSEMBLY INSTRUCTIONS

PLEASE CAREFULLY READ AND FOLLOW ALL THE INSTRUCTIONS IN THE DESIGNATED SEQUENCE.

STEP 2: (Continued...)

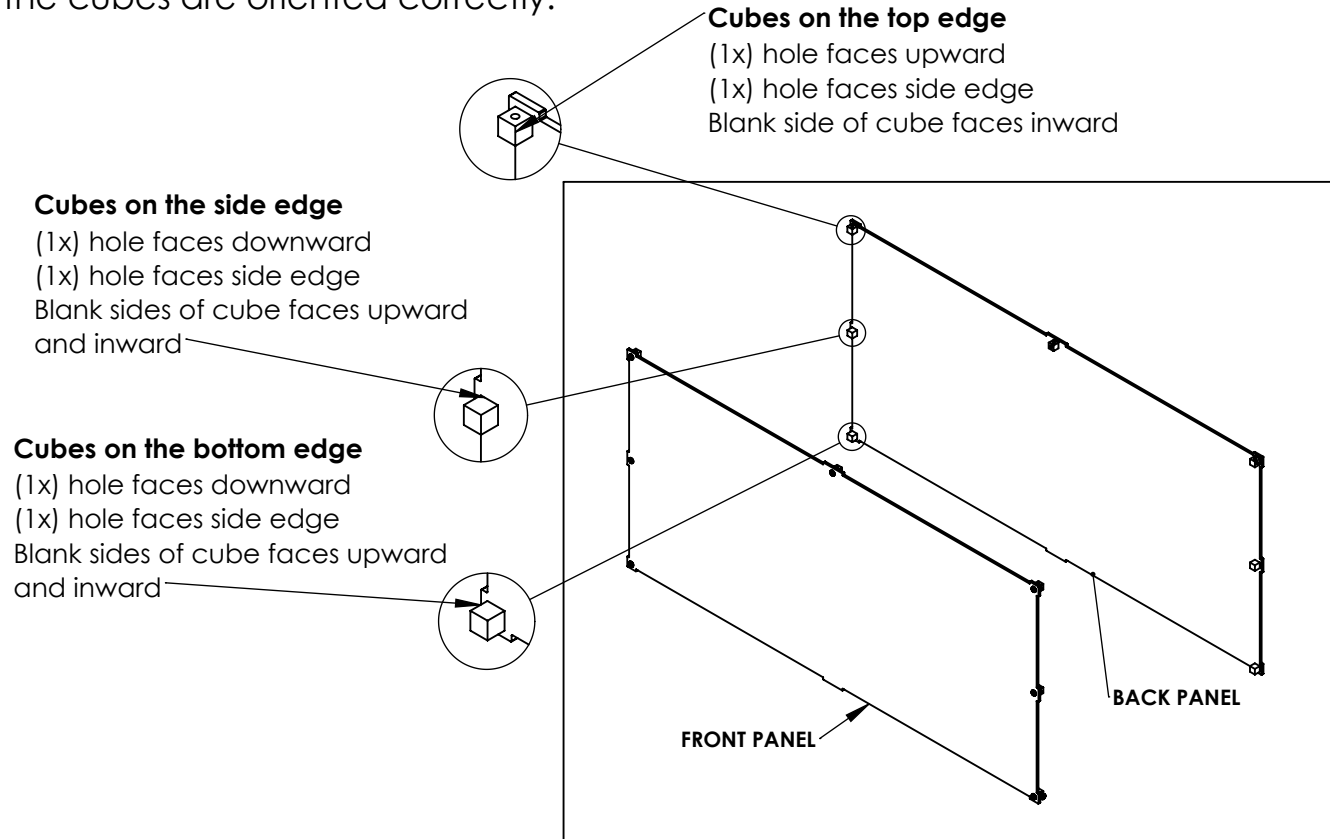


STEP 3: Attach Cubes to both Front/Back Panels using Screws. Do not over-tighten so that screws are easy to rotate, if the position of the holes on the cubes needs to be adjusted. Use manual tools only. Do not use power tools.

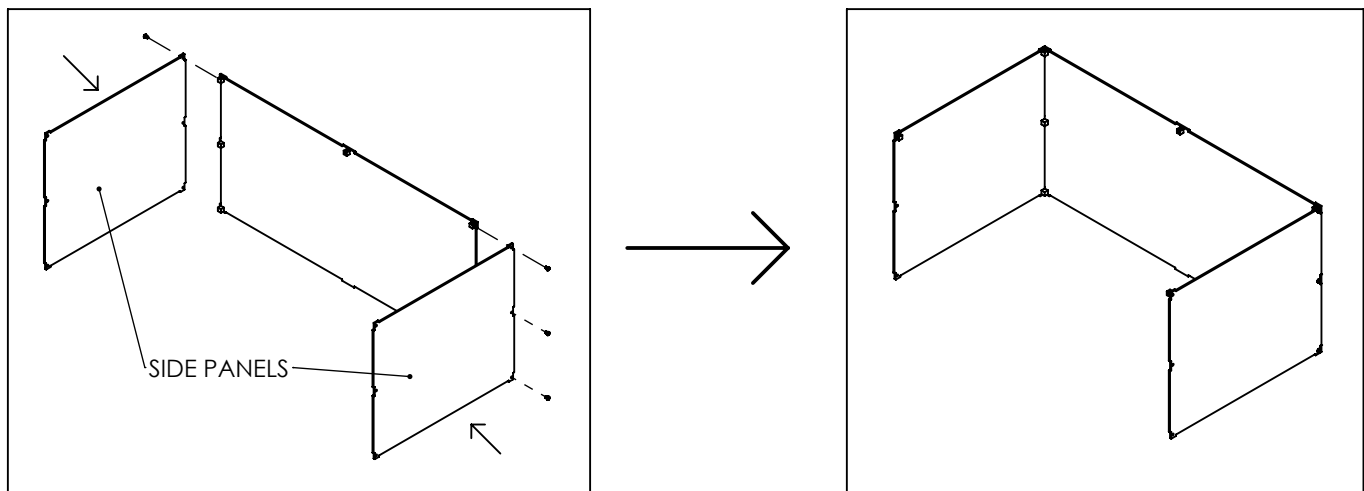


CUBE / SCREW / PANEL ASSEMBLY

STEP 4: When attaching the cubes to the Front/Back panels with screws, make sure the cubes are oriented correctly.



STEP 5: Attach both Side Panels to one Front/Back panel using screws. Maintain a 90-degree angle between side panels and Front/Back panels during assembly.

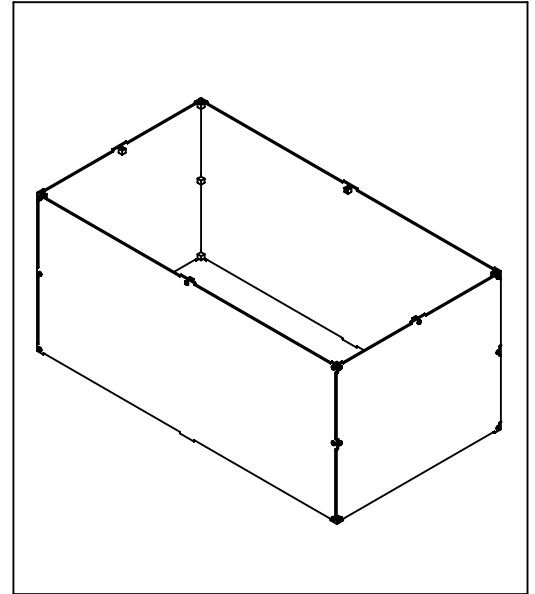
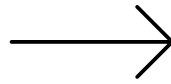
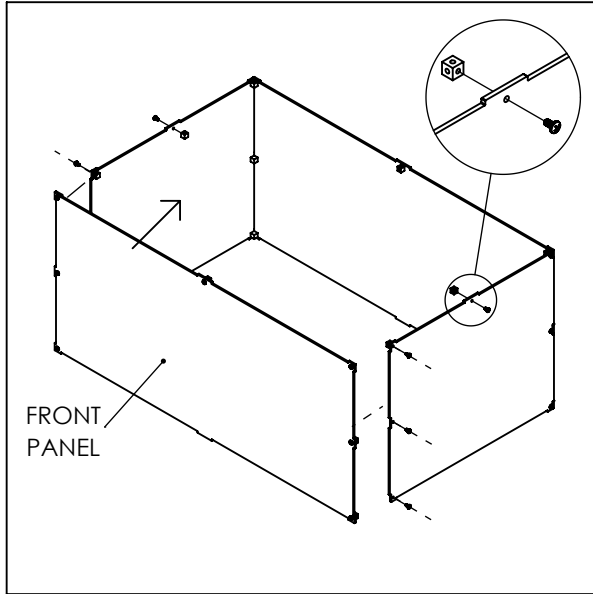


General Instruction Sheet

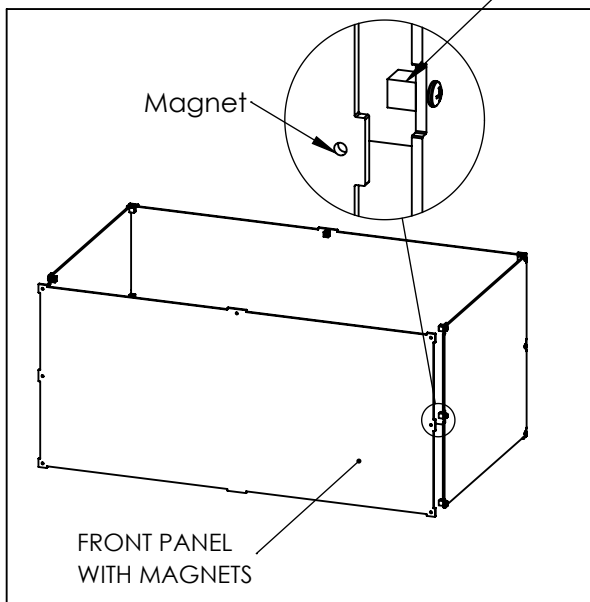
ASSEMBLY INSTRUCTIONS

PLEASE CAREFULLY READ AND FOLLOW ALL THE INSTRUCTIONS IN THE DESIGNATED SEQUENCE.

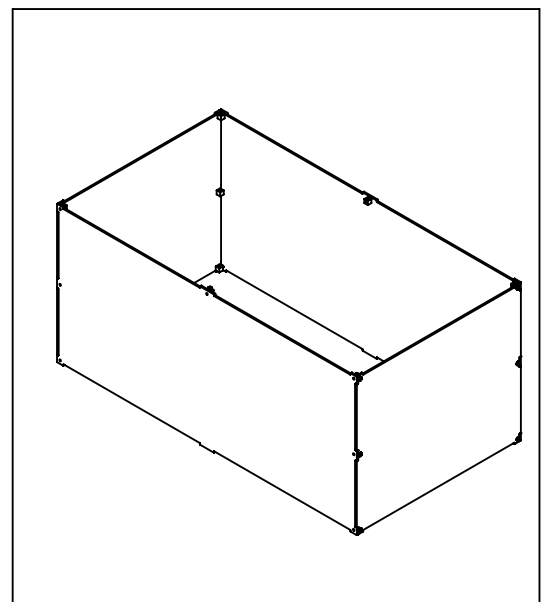
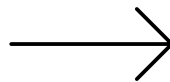
STEP 6: Attach other Front/Back Panels to Side Panels using Screws. Once completed, attach Cubes with screws to the top of the Side Panels if necessary.



STEP 7: For cases that use a magnetic Front Panel, attach the panel to the front of the unit. The magnets on the panel will attach to cubes on the unit.



Attach cube to the side panel so the blank face is facing toward the Front Panel

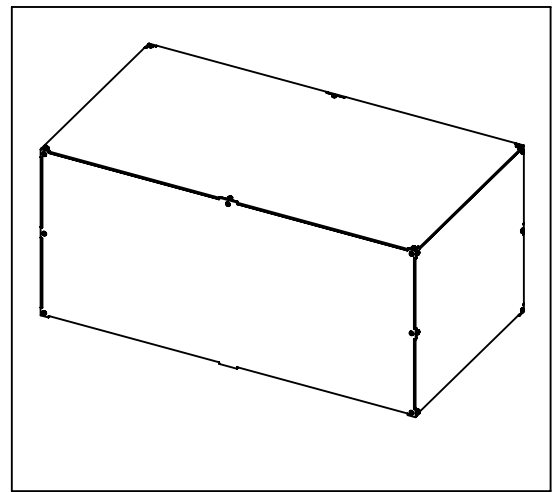
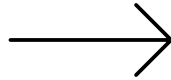
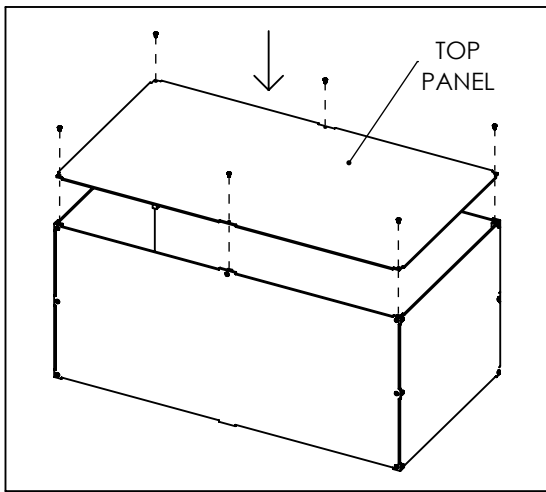


General Instruction Sheet

ASSEMBLY INSTRUCTIONS

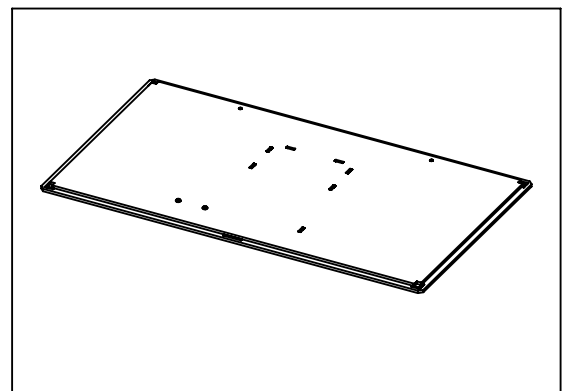
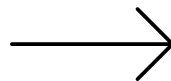
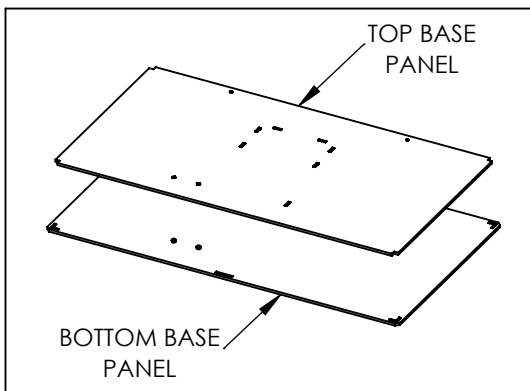
PLEASE CAREFULLY READ AND FOLLOW ALL THE INSTRUCTIONS IN THE DESIGNATED SEQUENCE.

STEP 8: Place Top Panel on assembled unit and attach using screws.

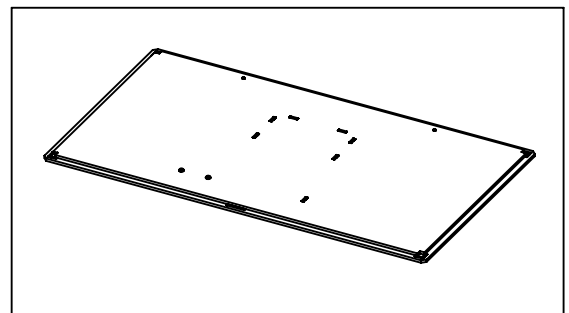
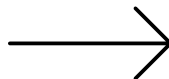
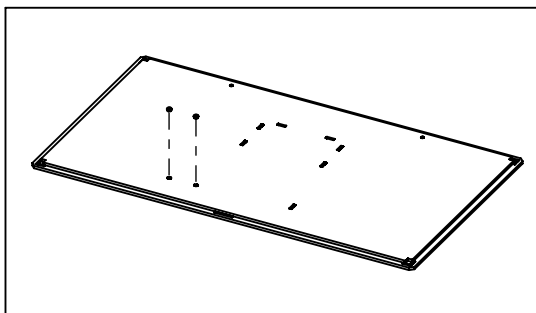


BASE ASSEMBLY

STEP 1: Place Top Base Panel on top of Bottom Base Panel allowing magnets to locate the panels together. Ensure that the base panel is correctly oriented in the desired direction. Position the magnets on the base towards the rear of the LEGO® Set, where applicable. For specific direction on the intended orientation, please refer to images on our website.



STEP 2: Use even pressure to insert LEGO® Studs into hole cutouts on Top Base Panel where applicable.

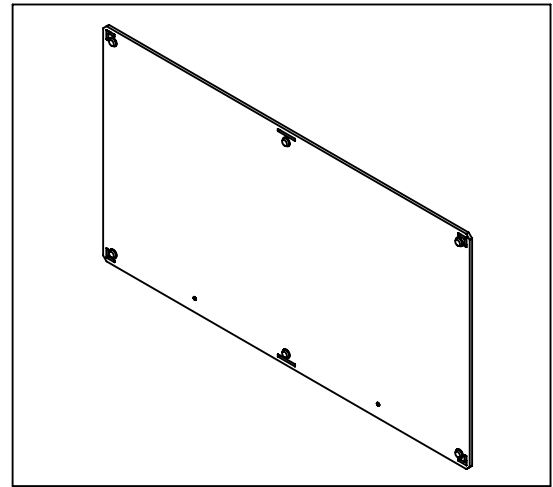
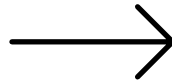
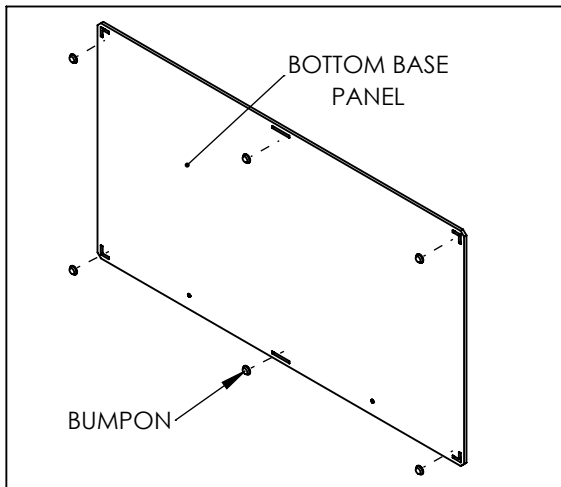


General Instruction Sheet

ASSEMBLY INSTRUCTIONS

PLEASE CAREFULLY READ AND FOLLOW ALL THE INSTRUCTIONS IN THE DESIGNATED SEQUENCE.

STEP 3: Attach Bumpons to the underside of Bottom Base Panel as shown. Ensure Bumpons don't cover slots when attaching.

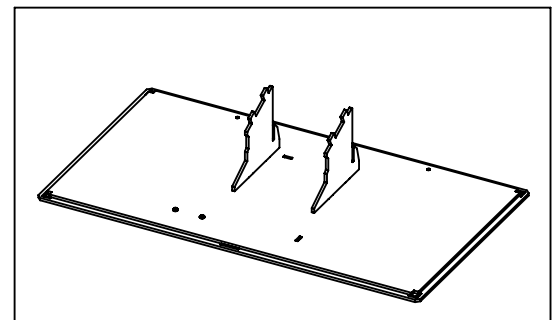
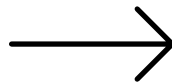
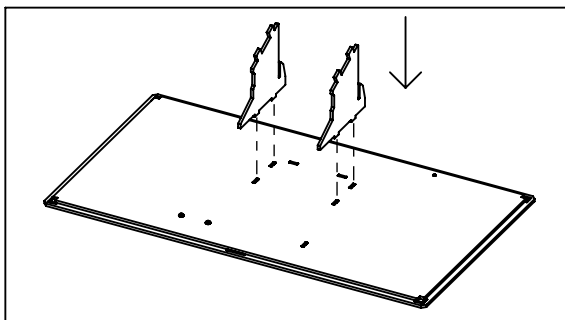


STEP 4: Tighten all screws to make sure they are stable and the unit is sturdy. Do not over-tighten.

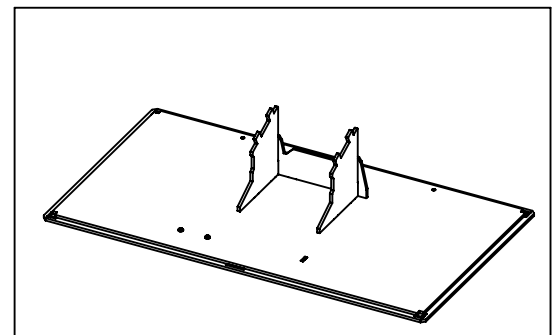
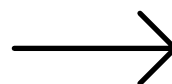
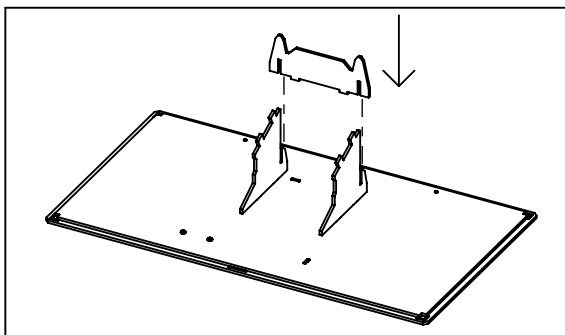
Note: To clean, use non-abrasive soft cloths with mild soap and water or Novus acrylic cleaner. **Do not use glass cleaner. Cleaners containing ammonia and alcohol as well as hand sanitizer, perfume or cologne can damage (craze) the acrylic.**

STAND ASSEMBLY:

STEP 1: Place Left/Right Support in vertical slots.



STEP 2: Slide Back Support into horizontal slots on Base Assembly and slots of Left/Right Supports.



General Instruction Sheet

ASSEMBLY INSTRUCTIONS

PLEASE CAREFULLY READ AND FOLLOW ALL THE INSTRUCTIONS IN THE DESIGNATED SEQUENCE.

STEP 3: Insert Front Stand into Vertical slot at front of Base Assembly.

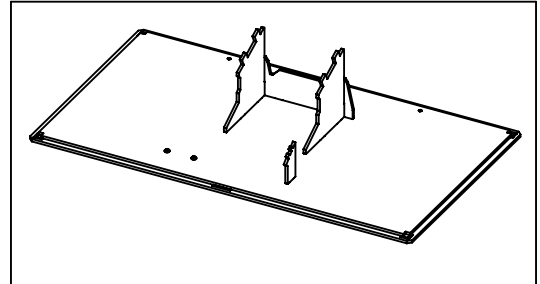
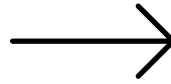
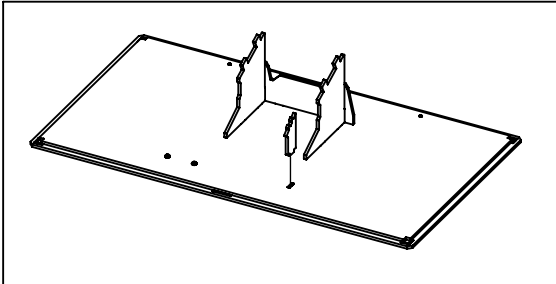
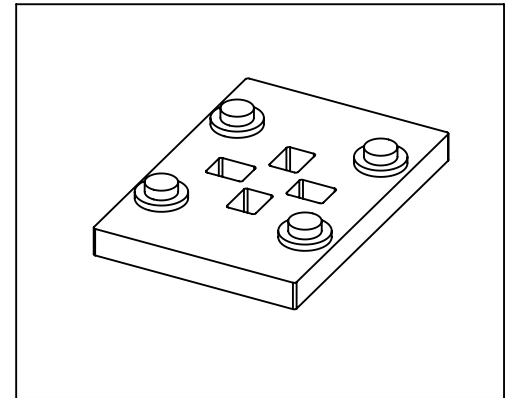
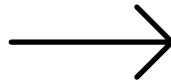
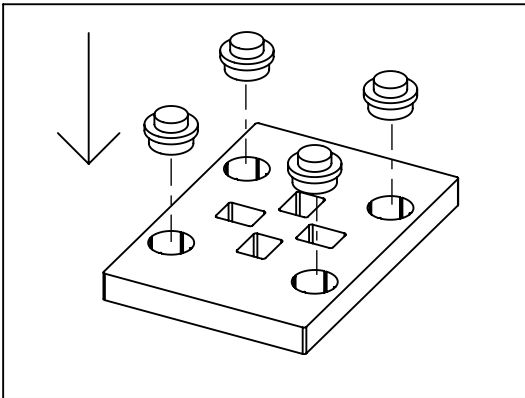
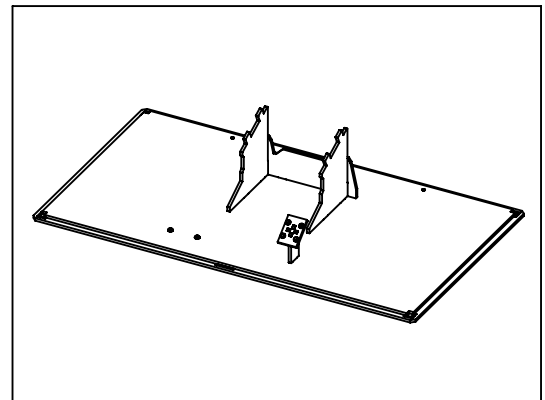
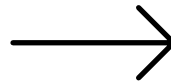
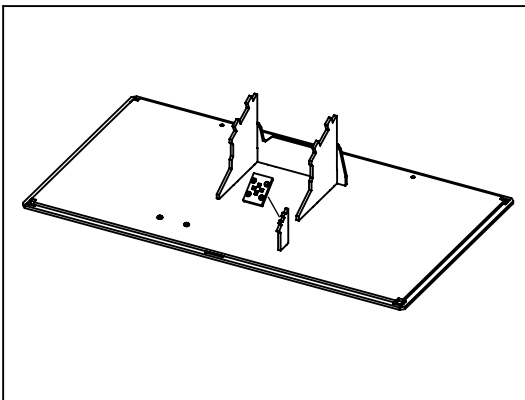


PLATE ASSEMBLY:

STEP 1: Using even pressure, insert Clear LEGO® Studs into hole cutouts on Plate.



STEP 2: Using slots on plate press fit Plate on top of Front Stand.

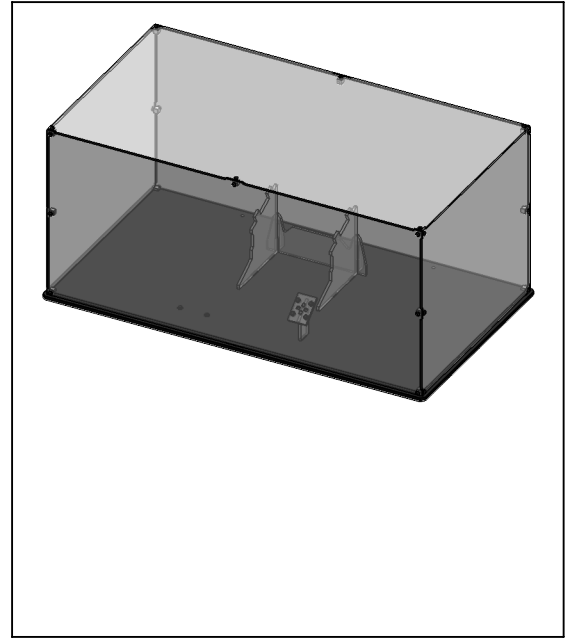
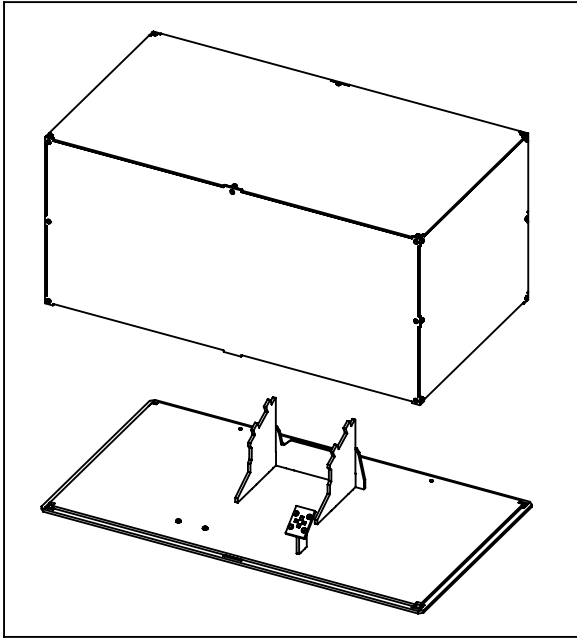


General Instruction Sheet

ASSEMBLY INSTRUCTIONS

PLEASE CAREFULLY READ AND FOLLOW ALL THE INSTRUCTIONS IN THE DESIGNATED SEQUENCE.

FINAL ASSEMBLY: After placing LEGO® set on stand, and Plaque on Plate, place Cover Assembly over top of set and slide tabs into slots on Base Assembly.



ASSEMBLY COMPLETED

